

> **Features**

- Compact design
- Low axial ratio for optimum performance
- Read range\*: up to 12 m (\* depending on tag properties, environment and requirements)
- Optimized for portal applications
- Suitable for use in industrial environments
- High degree of protection, IP67 suitable for outdoor use



> **General Specifications**

Order No.		52010333	52010334
Type		WRA 7070 Antenna Unit	WRA 7070 Antenna Unit
Frequency range	[MHz]	865 - 868	902 - 928
©KRAI			-
LED visulatzation			-
Polarization circular			RHCP *
Antenna gain	[dBiC]	typ. 8.5 (at 866 MHz)	typ. 8.5 (at 915 MHz)
Axial ratio	[dB]		typ. 1
VSWR			typ. 1.2:1
Front-to-back ratio	[dB]		> 18
Impedance	[Ohm]		50
max. input power	[dBm]		+30 (at antenna port) (FCC15.247)
Max. radiated power	[dBm]	+33 e.r.p. (ETSI EN 302 208)	+36 EIRP (FCC15.247)
Far field half-power beam width	[°]		65
Connection			TNC female
Weight	[kg]		1.7
Degree of protection			IP67
Operating temperature range	[°C]		-20 to +55
Storage temperature range	[°C]		-40 to +85
Dimensions (L x W x H)	[mm]		300 x 300 x 49
Packing size (L x W x H)	[mm]		approx. 350 x 350 x 80
Material			
Antenna cover		tough, weather-resistant polymer blend, colour: RAL7035	
Chassis		aluminium, powder coated	
Patch plate		brass tin-plated	
Seals		thermoplastic elastomer	

\* right-hand circular polarization

> **Remarks**

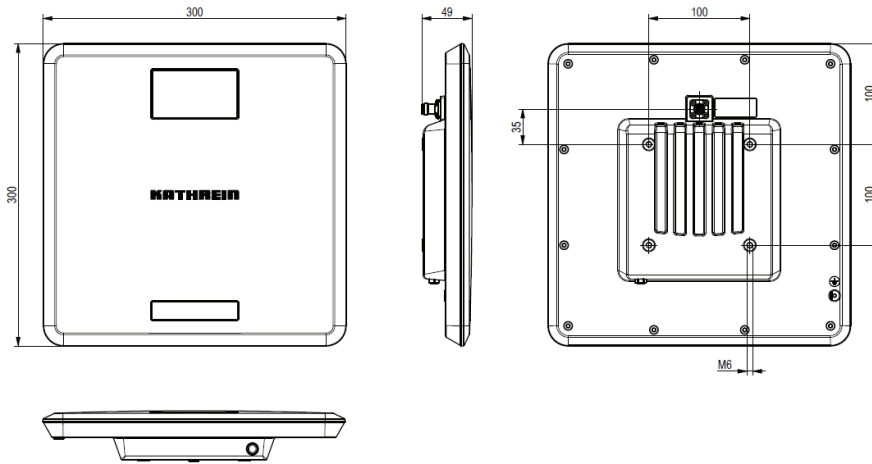
**Mounting options**

- Four M6 drill holes at intervals of 100 x 100 mm

**Accessories optional**

- All accessories can be found at: <https://http://www.kathrein-solutions.com/products/hardware/accessories>

➤ **Dimensions [mm]**



## Description

For classic far field applications with large reading distances, the Wide Range Antennas (WRA) are the optimal choice: they are characterised by a very low axial ratio for circular polarization, whereby the dependence of reading results upon the position or alignment of tags is significantly reduced. For this reason they are also the ideal solution for portal applications in addition to many other application possibilities.

## Key Application

- Gate applications for goods registration
- Logistics
- Vehicle registration
- Bulk and single tag applications